

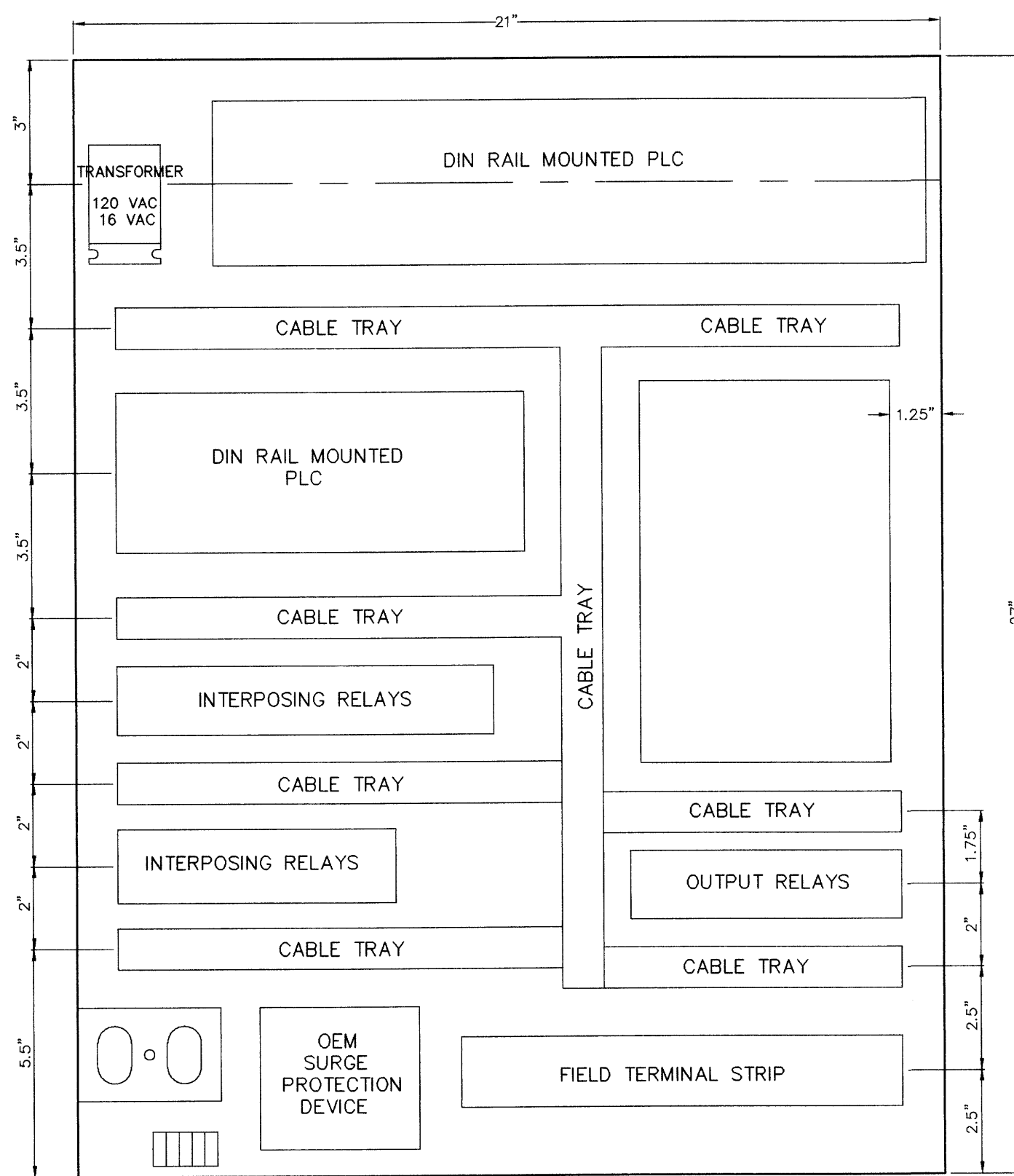
ALARM WIRING TEMPLATE

ALARM INPUT	DESCRIPTION	PLC ADDRESS	COLOR
ALARM INPUT 1	LOCKOUT	10001	BLUE
ALARM INPUT 2	OVERFLOW	10002	BLUE/WHITE
ALARM INPUT 3	STATION FLOOD	10003	BLUE/RED
ALARM INPUT 4	LOW INSTR. AIR	10004	BLUE/BLACK
ALARM INPUT 5	LOW TEMP.	10005	RED
ALARM INPUT 6	LOSS OF SEAL WATER	10006	RED/BLACK
ALARM INPUT 7	GENERATOR RUN	10007	RED/WHITE
ALARM INPUT 8	POWER FAILURE	10008	ORANGE
ALARM INPUT 9	FLOOD STATION HIGH WET WELL	10009	ORANGE/RED
ALARM INPUT 10	FLOOD STATION FLOOD	10010	ORANGE/BLACK
ALARM INPUT 11	GENERATOR FAIL	10011	BLACK
ALARM INPUT 12	WET WELL UPPER	10012	BLACK/WHITE
ALARM INPUT 13	COM/PUMP FAILURE	10013	BLACK/RED
ALARM INPUT 14			GREEN
ALARM INPUT 15			GREEN/BLACK
ALARM INPUT 16			GREEN/WHITE

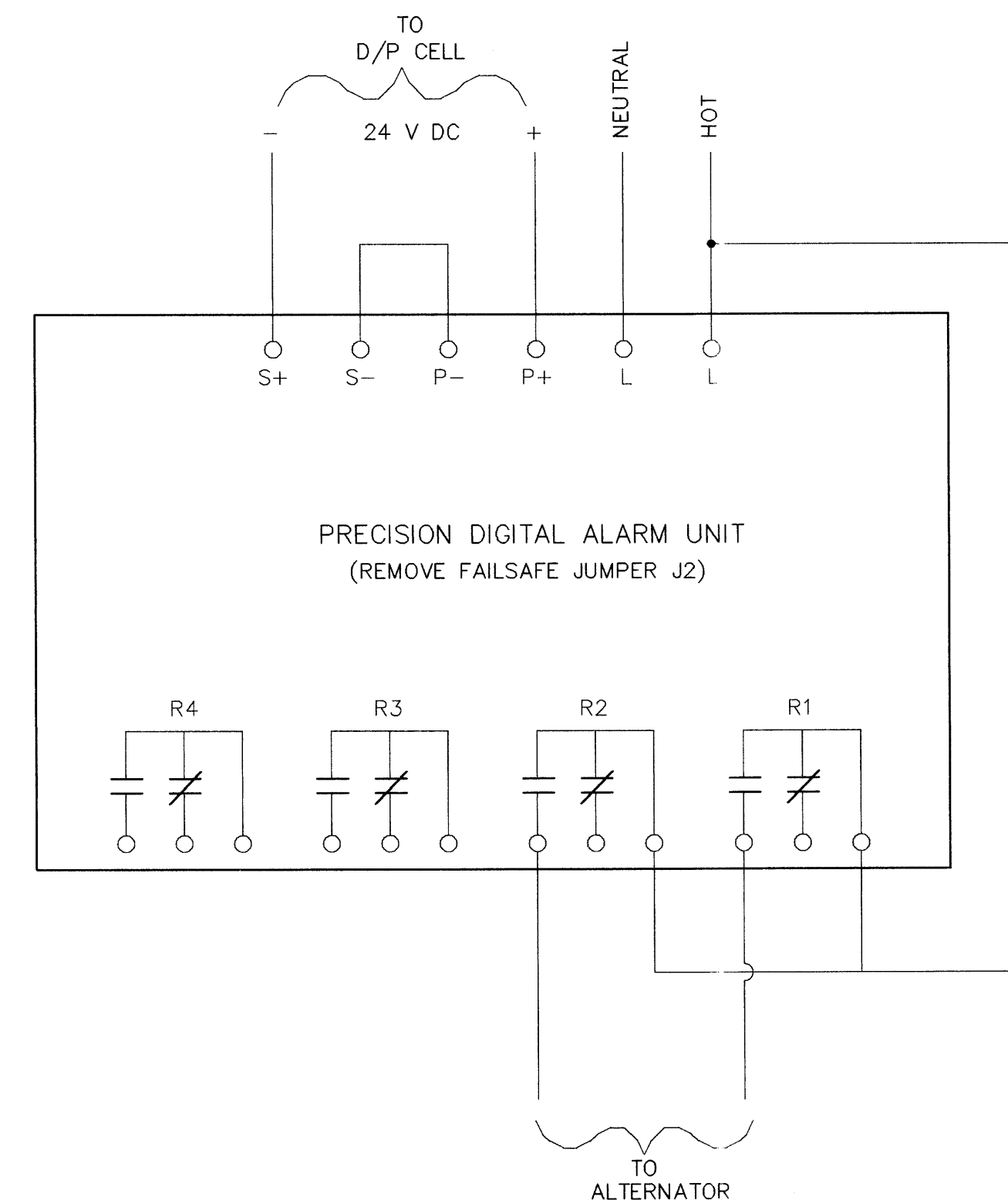
Any other types of alarms are to be wired to alarm inputs 14 through 16. Otherwise call the Metershop for further instructions.

ANALOG WIRING	PLC ADDRESS
INPUT 1	LIFT LEVEL 30001
INPUT 2	FLOOD LEVEL 30002
INPUT 3	FLOW 30003

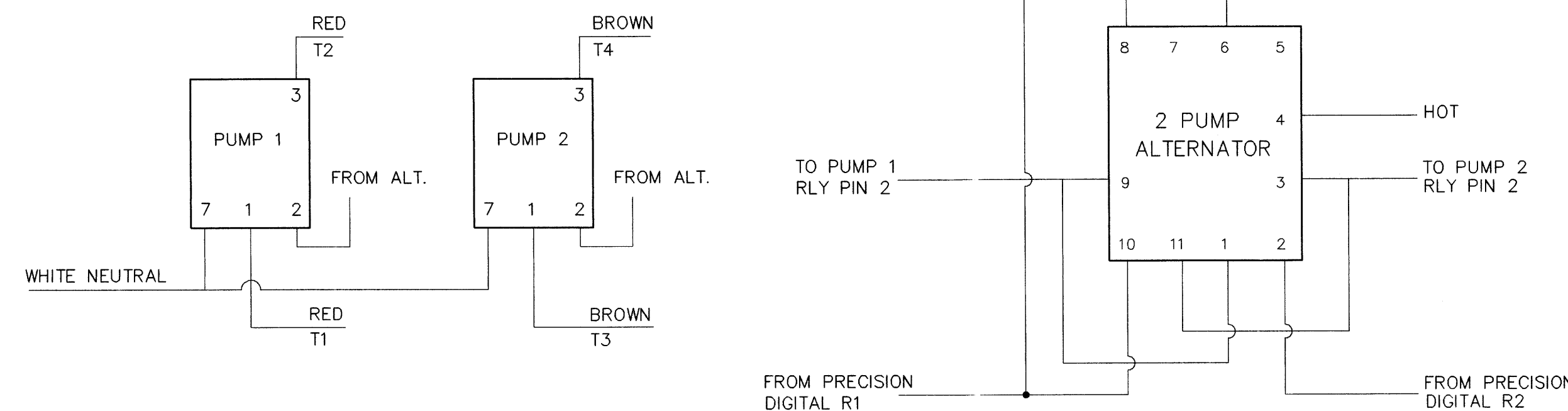
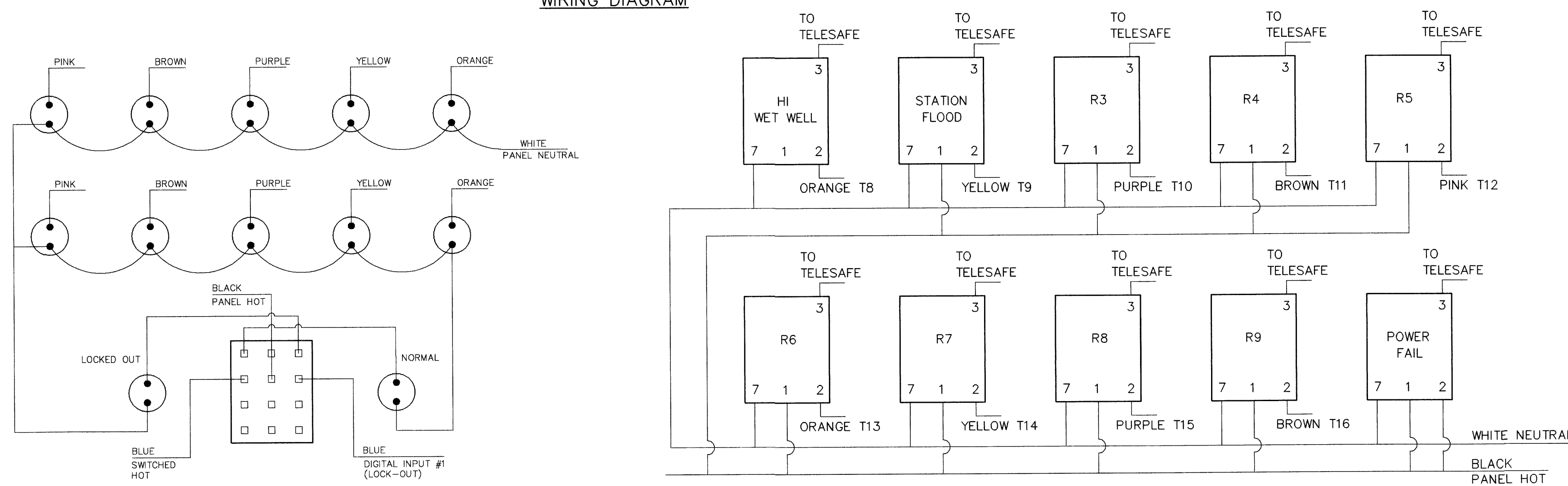
BACK PANEL LAYOUT



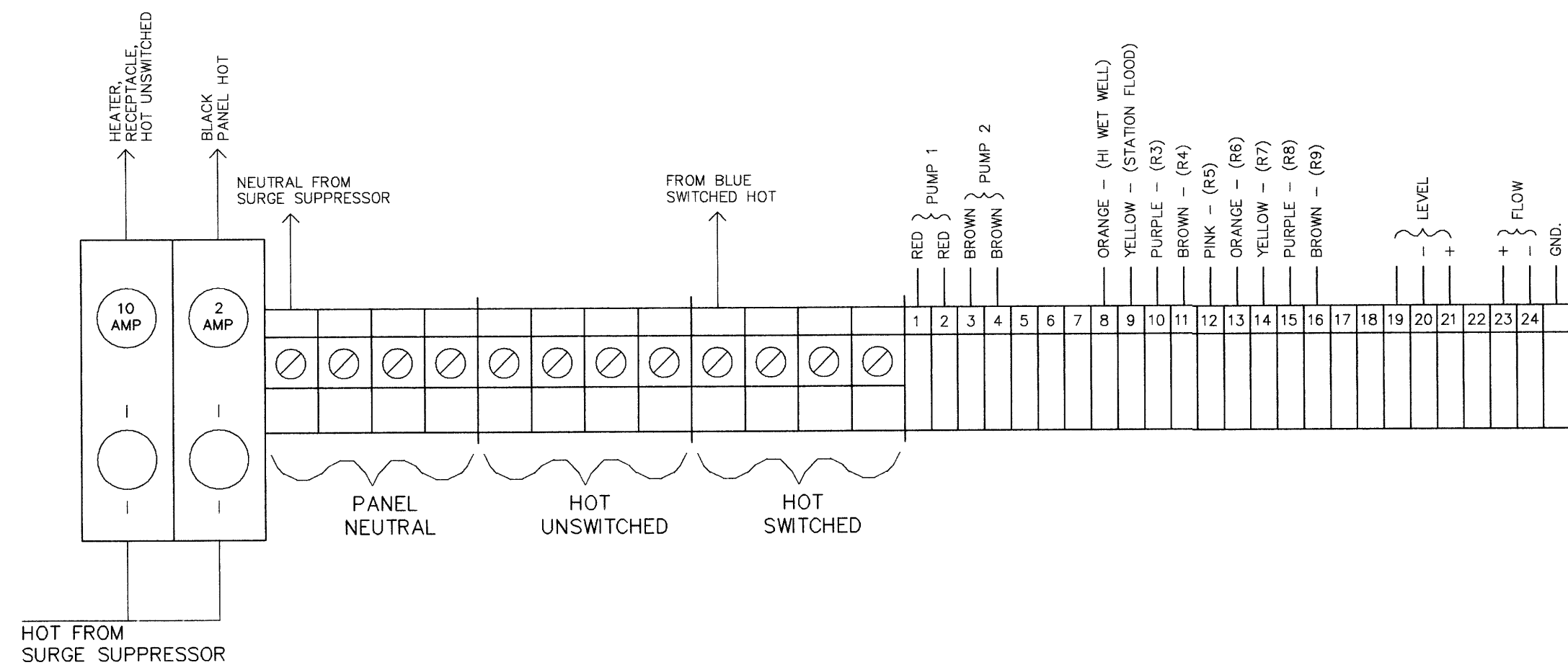
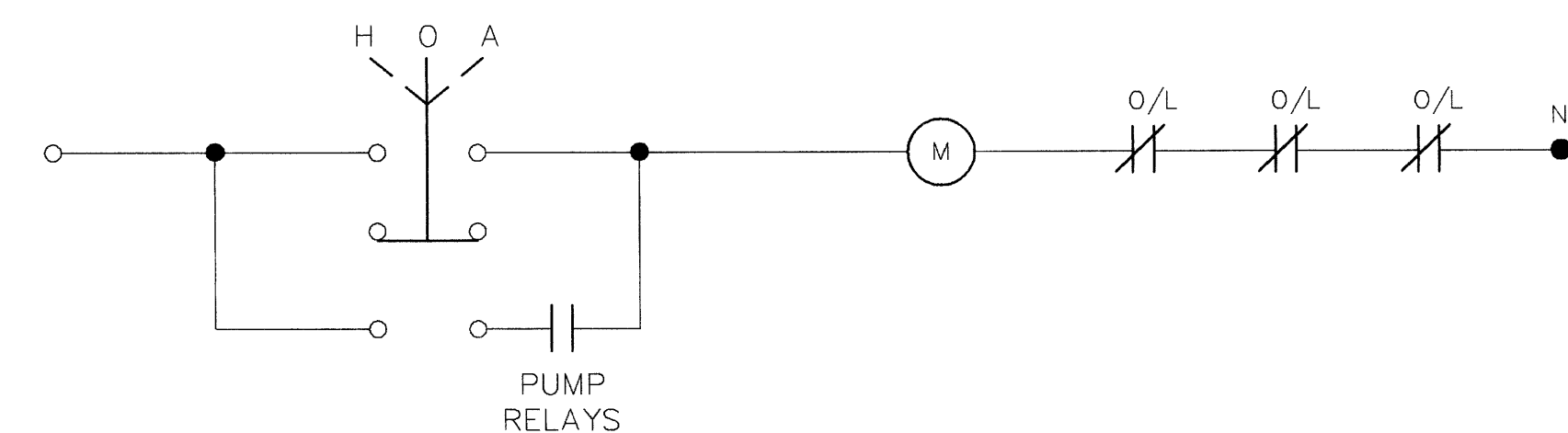
ELECTRICAL DISTRIBUTION LAYOUT



WIRING DIAGRAM



TYPICAL MOTOR STARTER



B.M. ELEV.	FIELD BOOK #:	CITY OF WINNIPEG WATER AND WASTE ENGINEERING DIVISION	ENGINEER'S SEAL		THE CITY OF WINNIPEG WATER AND WASTE DEPARTMENT
POSTED TO LIBS			DESIGNED BY		
			DRAWN BY DS	APPROVED BY	OLIVE LIFT STATION ELECTRICAL AND CONTROL
			HOR. SCALE VERTICAL N.T.S.	RELEASED FOR CONSTRUCTION	
NO. REVISIONS	DATE	BY	DATE 1999 04 16	DATE	PLOT DATE: 1999 04 16